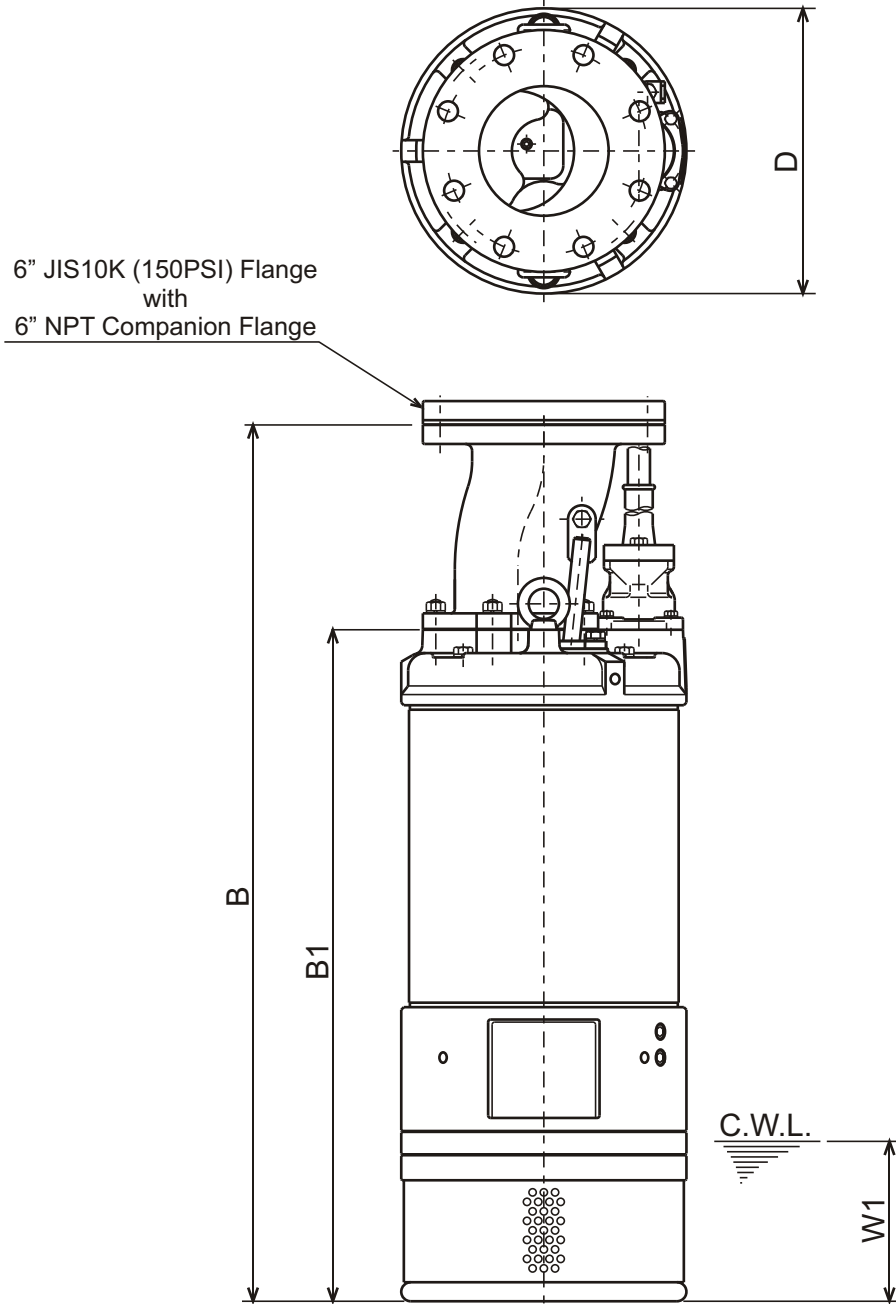




**LH - SERIES  
DEWATERING PUMPS**

**DIMENSIONS**

**LH615-61**



C.W.L. : Continuous running Water Level

**DIMENSIONS: USCS (Inch)**

Model	HP	NOM. SIZE	Pump & Motor			C.W.L.	Wt. (lbs.)
			B	B1	D	W1	
LH615-61	20	6"	39 15/16	30 9/16	13	7 1/4	470

**DIMENSIONS: METRIC (mm)**

Model	kW	NOM. SIZE	Pump & Motor			C.W.L.	Wt. (kg)
			B	B1	D	W1	
LH615-61	15	150	1014	777	330	185	213